

# 12500H SERIES

2.5mm PITCH WIRE TO BOARD CONNECTOR

## ● Specifications

Current rating: 3A AC,DC

Voltage rating: 250V AC,DC

Temperature range:  $-25^{\circ}\text{C}$  to  $+85^{\circ}\text{C}$   
(including temperature rise)

Contact resistance: Initial value/10m  $\Omega$  Max.

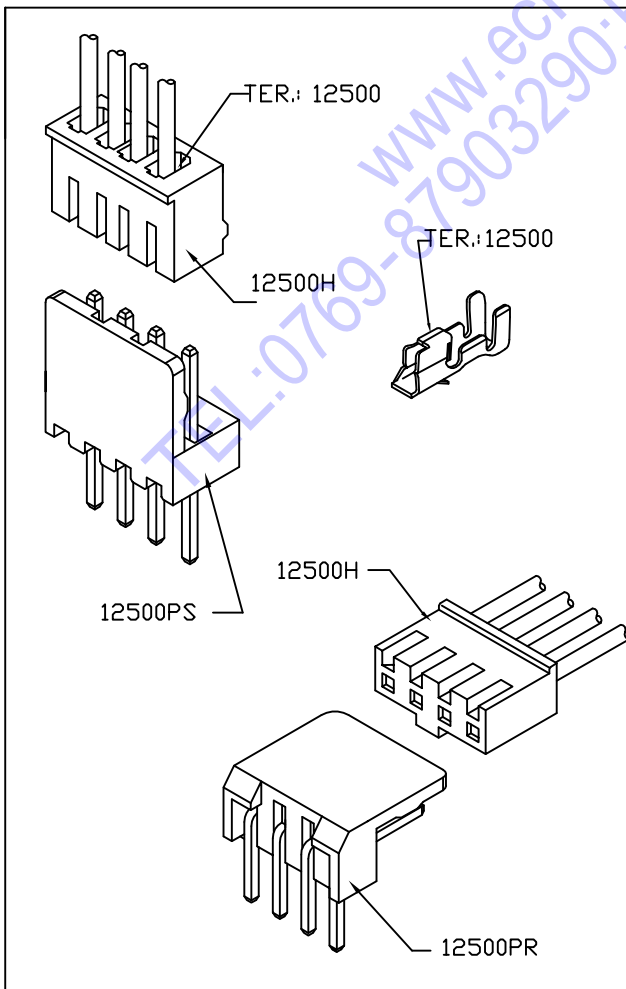
After environmental testing/20m  $\Omega$  Max.

Insulation resistance: 1000M  $\Omega$  MIN.

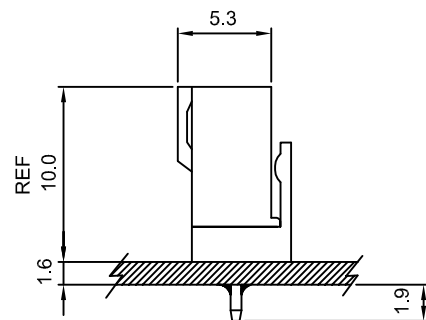
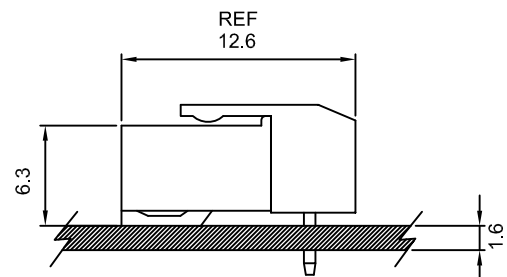
Withstanding voltage: 800V AC/minute

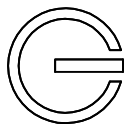
Applicable wire: AWG#22-28

## ● Standards



## Assembly layout





# 12500H

2.50mm PITCH HOUSING

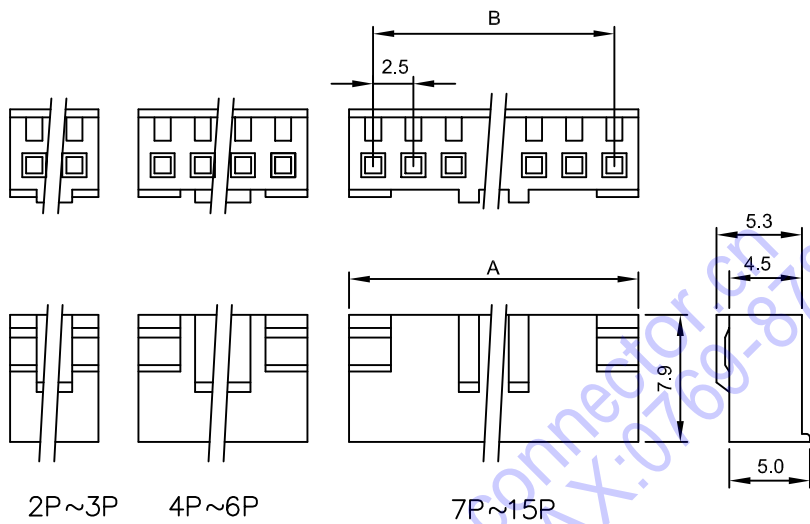
**Features:**

MAT'L: NYLON 66 UL94V-0

MATES WITH 12500 SERIES TERMINAL

ACCEPTS WITH: 12500PS 12500PR SERIES WAFER

unit: mm



PART NO.	A	B
12500H-02	5.00	2.50
12500H-03	8.00	5.00
12500H-04	10.5	7.50
12500H-05	13.0	10.0
12500H-06	15.5	12.5
12500H-07	18.0	15.0
12500H-08	20.5	17.5
12500H-09	23.0	20.0
12500H-10	25.5	22.5
12500H-11	28.0	25.0
12500H-12	30.5	27.5
12500H-13	33.0	30.0
12500H-14	35.5	32.5
12500H-15	38.0	35.0

# 12500

2.50mm PITCH TERMINAL

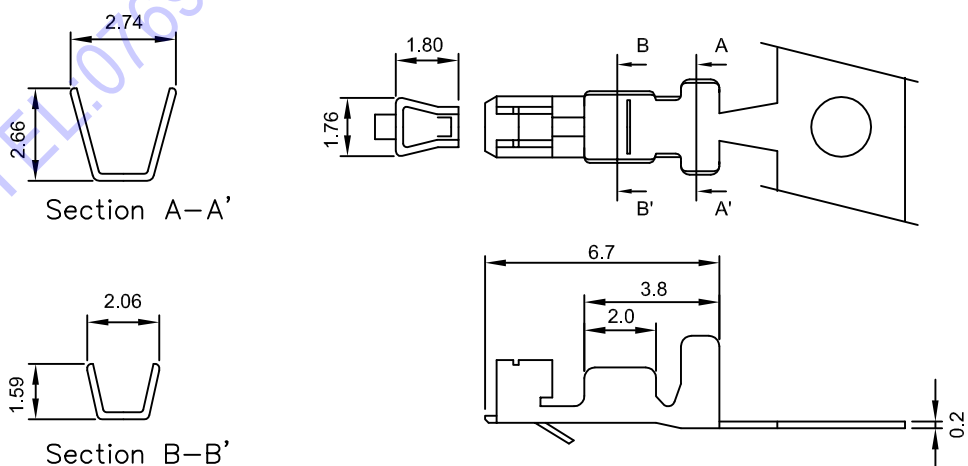
**Features:**

unit: mm

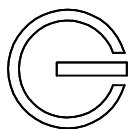
THICKNESS: 0.2mm

MATES WITH 12500H SERIES HOUSING

ACCEPTS WITH: 12500PS 12500PR SERIES WAFER



Part No	Wire Range	Insulation O.D.	Material	Finish	Qty/reel
12500	AWG#22-#28	1.90mm(max)	Phosphor Bronze	Tin-plated	10,000



# 12500PS

2.50mm PITCH 180° WAFER

### Features:

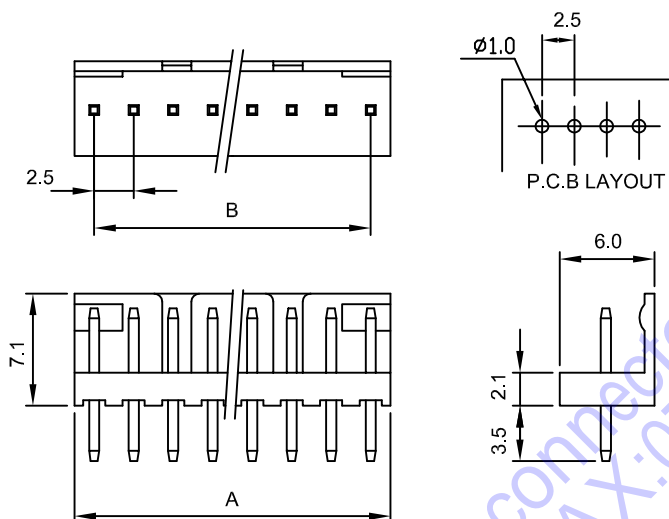
MAT'L: BODY: NYLON 66 UL94V-0

PINS: BRASS TIN PLATED

MATES WITH: 12500H SERIES HOUSING

ACCEPTS WITH: 12500 SERIES TERMINAL

unit: mm



PART NO.	A	B
12500PS-02	5.00	2.50
12500PS-03	7.50	5.00
12500PS-04	10.00	7.50
12500PS-05	12.50	10.00
12500PS-06	15.00	12.50
12500PS-07	17.50	15.00
12500PS-08	20.00	17.50
12500PS-09	22.50	20.00
12500PS-10	25.00	22.50
12500PS-11	27.50	25.00
12500PS-12	30.00	27.50
12500PS-13	32.50	30.00
12500PS-14	35.00	32.50
12500PS-15	37.50	35.00

# 12500PR

2.50mm PITCH 90° WAFER

### Features:

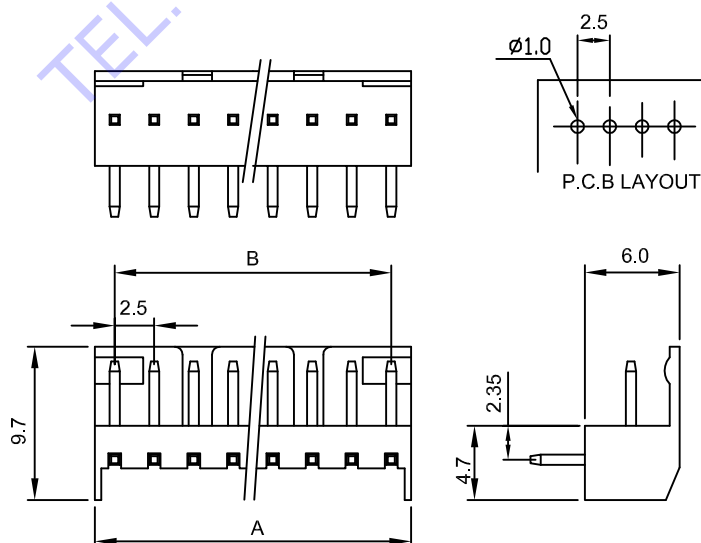
MAT'L: BODY: NYLON 66 UL94V-0

PINS: BRASS TIN PLATED

MATES WITH: 12500H SERIES HOUSING

ACCEPTS WITH: 12500 SERIES TERMINAL

unit: mm



PART NO.	A	B
12500PR-02	5.00	2.50
12500PR-03	7.50	5.00
12500PR-04	10.00	7.50
12500PR-05	12.50	10.00
12500PR-06	15.00	12.50
12500PR-07	17.50	15.00
12500PR-08	20.00	17.50
12500PR-09	22.50	20.00
12500PR-10	25.00	22.50
12500PR-11	27.50	25.00
12500PR-12	30.00	27.50
12500PR-13	32.50	30.00
12500PR-14	35.00	32.50
12500PR-15	37.50	35.00