

2010 SERIES

2.0mm PITCH BOARD IN CONNECTOR

● Specifications

Current rating: 3A AC,DC

Voltage rating: 250V AC,DC

Temperature range: -25° C to+85° C
(including temperature rise)

Contact resistance: Initial value/10m Ω Max.

After environmental testing/20m Ω Max.

Insulation resistance: 1000M Ω MIN.

Withstanding voltage: 800V AC/minute

Applicable wire: AWG#24-30

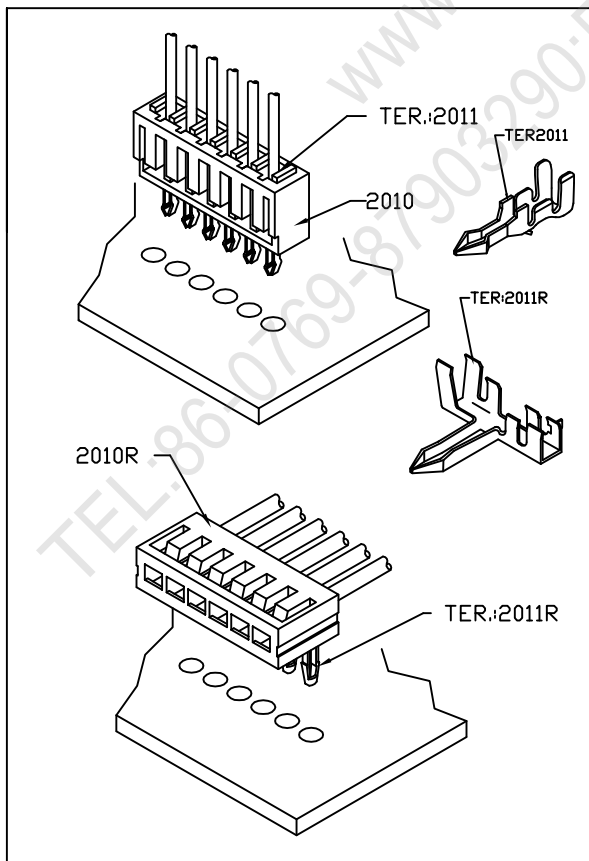
● Standards



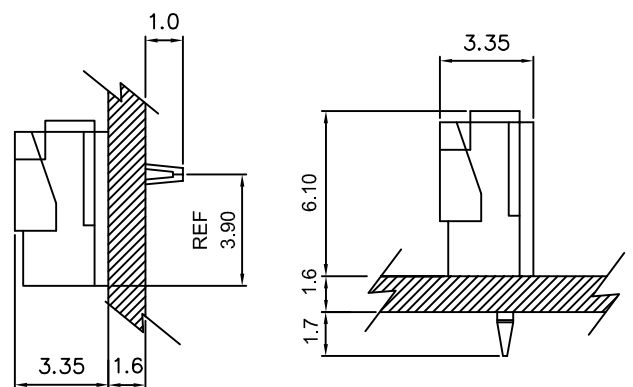
E115256

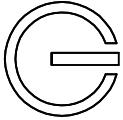


LR84767



Assembly layout





2010

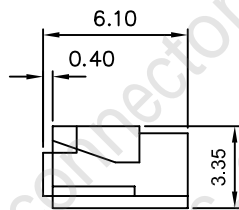
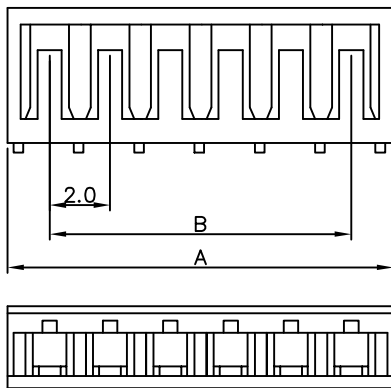
2.0mm BOARD TERMINAL HOUSING

Features:

MAT'L: NYLON 66 UL94V-0

MATES WITH: 2011 SERIES TERMINAL

unit:mm



PART NO.	A	B
2010- 02	5.2	2.0
2010- 03	7.2	4.0
2010- 04	9.2	6.0
2010- 05	11.2	8.0
2010- 06	13.2	10.0
2010- 07	15.2	12.0
2010- 08	17.2	14.0
2010- 09	19.2	16.0
2010- 10	21.2	18.0
2010- 11	23.2	20.0
2010- 12	25.2	22.0
2010- 13	27.2	24.0
2010- 14	29.2	26.0
2010- 15	31.2	28.0
2010- 16	33.2	30.0
2010- 17	35.2	32.0
2010- 18	37.2	34.0
2010- 19	39.2	36.0
2010- 20	41.2	38.0

2011

BOARD IN TERMINAL

Features:

THICKNESS: 0.2mm

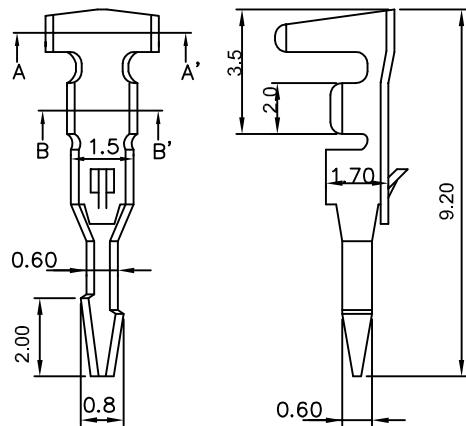
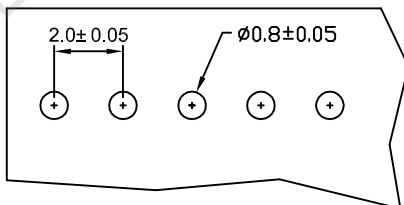
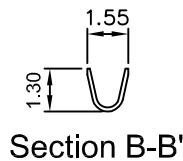
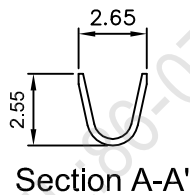
MAT'L: BRASS TIN PLATED

MATES WITH: 2010 SERIES HOUSING

TERMINAL SOLDER DIRECTLY TO P.C.B

SUITABLE FOR 1.6mm OR 1.2mm THICKNESS P.C.B

unit:mm



P.C.BOARD LAYOUT

Part No	Wire Range	Insulation O.D.	Material	Finish	Qty/reel
2011	AWG#24-#30	Ø1.4mm max	BRASS	Tin-plated	10,000



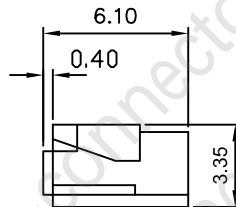
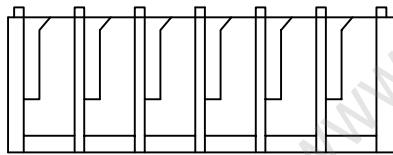
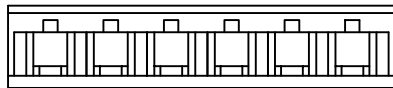
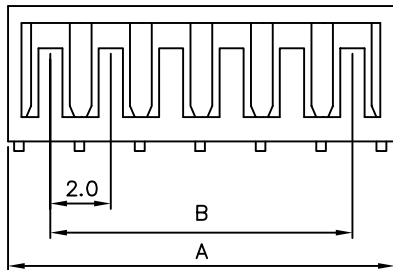
2010R 2.0mm PITCH BOARD TERMINAL HOUSING

Features:

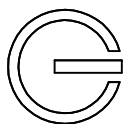
MAT'L: NYLON 66 UL94V-2

MATES WITH: 2011R SERIES TERMINAL

unit:mm



PART NO.	A	B
2010R-02	5.2	2.0
2010R-03	7.2	4.0
2010R-04	9.2	6.0
2010R-05	11.2	8.0
2010R-06	13.2	10.0
2010R-07	15.2	12.0
2010R-08	17.2	14.0
2010R-09	19.2	16.0
2010R-10	21.2	18.0
2010R-11	23.2	20.0
2010R-12	25.2	22.0
2010R-13	27.2	24.0
2010R-14	29.2	26.0
2010R-15	31.2	28.0
2010R-16	33.2	30.0
2010R-17	35.2	32.0
2010R-18	37.2	34.0
2010R-19	39.2	36.0
2010R-20	41.2	38.0

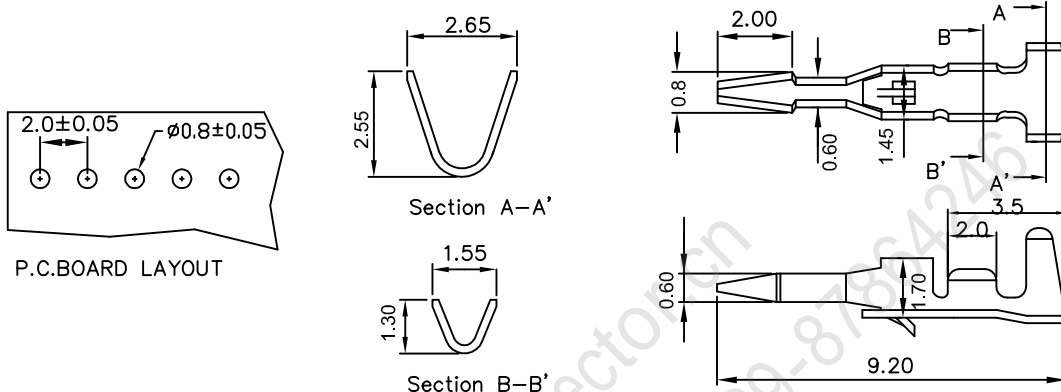


2011A 2.0mm PITCH BOARD IN TERMINAL

Features:

- THICKNESS: 0.2mm
- MAT'L: BRASS TIN PLATED
- MATES WITH: 2010 SERIES HOUSING
- TERMINAL SOLDER DIRECTLY TO P.C.B
- SUITABLE FOR 1.6mm OR 1.2mm THICKNESS P.C.B

unit:mm



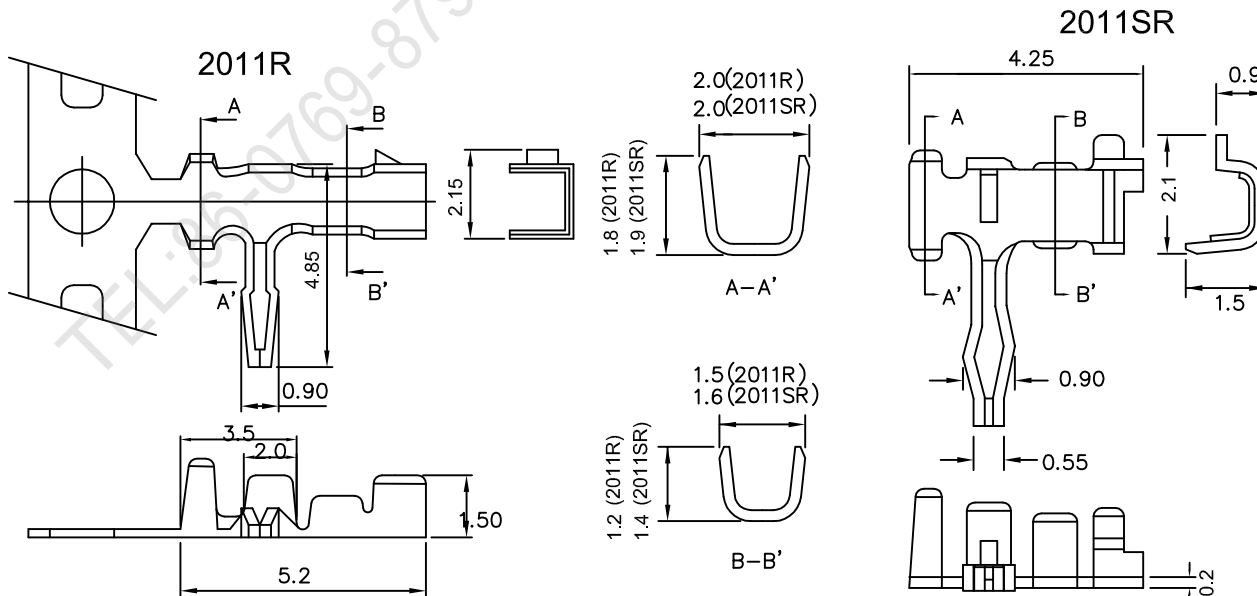
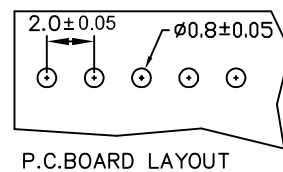
Part No	Wire Range	Insulation O.D.	Material	Finish	Qty/reel
2011A	AWG#24-#30	ø1.4mm max	BRASS	Tin-plated	10,000

2011R 2011SR 2.0mm PITCH BOARD IN TERMINAL

Features:

- THICKNESS: 0.2mm
- MAT'L: BRASS TIN PLATED
- MATES WITH: 2010R SERIES HOUSING
- TERMINAL SOLDER DIRECTLY TO P.C.B
- SUITABLE FOR 1.6mm OR 1.2mm THICKNESS P.C.B

unit:mm



Part No	Wire Range	Insulation O.D.	Material	Finish	Qty/reel
2011R	AWG#24-#30	ø1.4mm max	BRASS	Tin-plated	10,000
2011SR	AWG#24-#30	ø1.4mm max	BRASS	Tin-plated	10,000