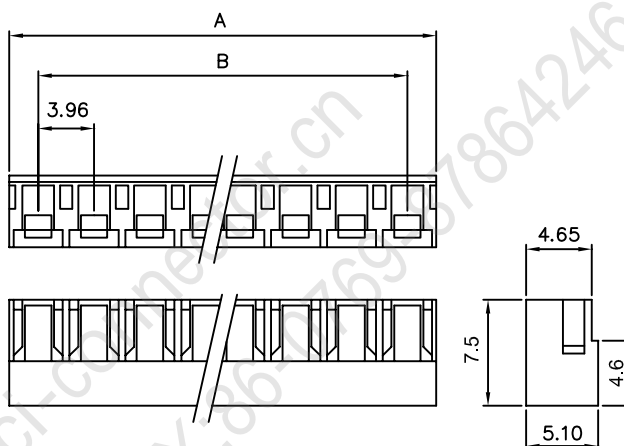


# D181H

3.96mm PITCH CRIMP HOUSING

MAT'L: NYLON 66 UL94V-0  
 CURRENT RATING: 7A AC DC  
 VOLTAGE RATING: 250V AC DC  
 MATES WITH: D181HT SERIES TERMINAL  
 UL FILE NO: E115256

PART NO	A	B
D181H- 02	8.42	3.96
D181H- 03	12.38	7.92
D181H- 04	16.34	11.88
D181H- 05	20.3	15.84
D181H- 06	24.26	19.8
D181H- 07	28.22	23.76
D181H- 08	32.18	27.72
D181H- 09	36.14	31.68
D181H- 10	40.1	35.64
D181H- 11	44.06	39.6
D181H- 12	48.02	43.56
D181H- 13	51.98	47.52
D181H- 14	55.94	51.48
D181H- 15	59.9	55.44



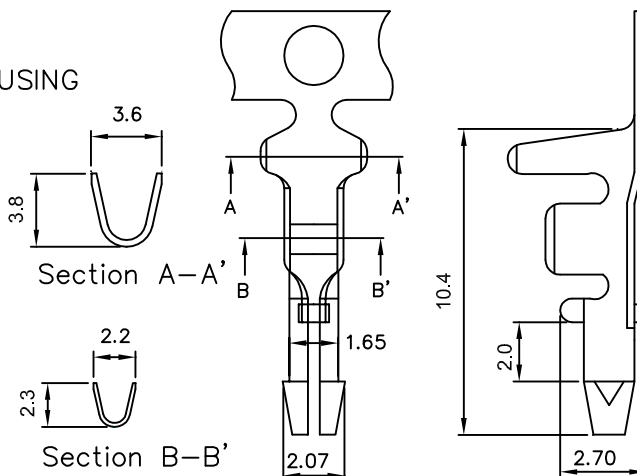
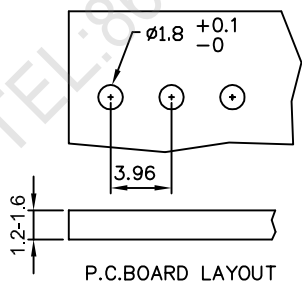
# D181HT

3.96mm pitch board-in connector

**Features:**

THICKNESS: 0.25mm  
 MAT'L: BRASS TIN PLATED  
 CURRENT RATING: 7A AC DC  
 VOLTAGE RATING: 250V AC.DC  
 MATES WITH: D181H SERIES HOUSING  
 P.C BOARD DIP IN TERMINAL  
 P.C BOARD THICKNESS: 1.2-1.6

unit:mm



Part No	Wire Range	Insulation O.D	Material	Finish	Qty/reel
D181HT	AWG#18-#22	2.50mm max	BRASS	Tin-plated	7,000